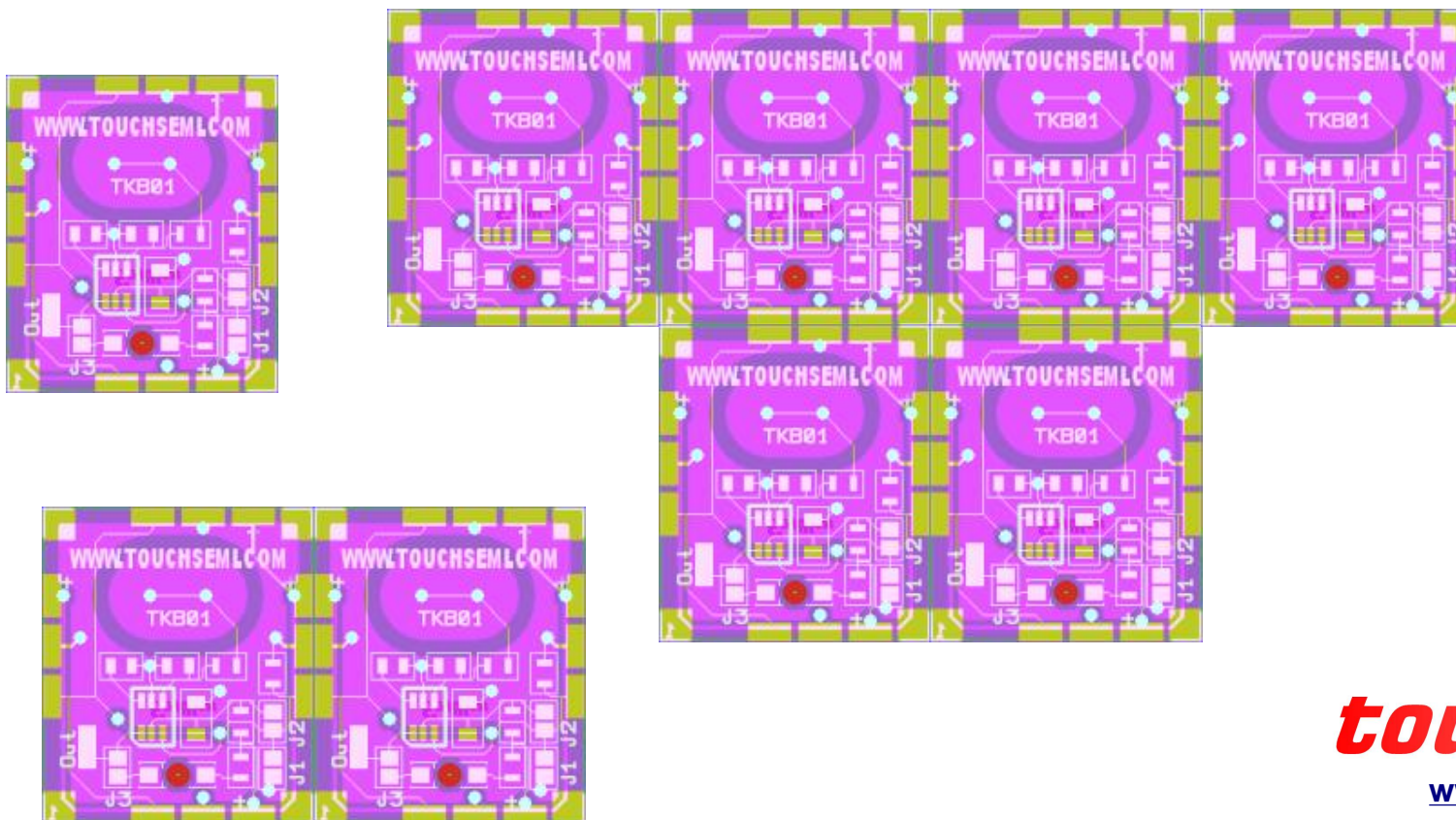


TKB01

1-CH Touch Sensor Board with TS01S



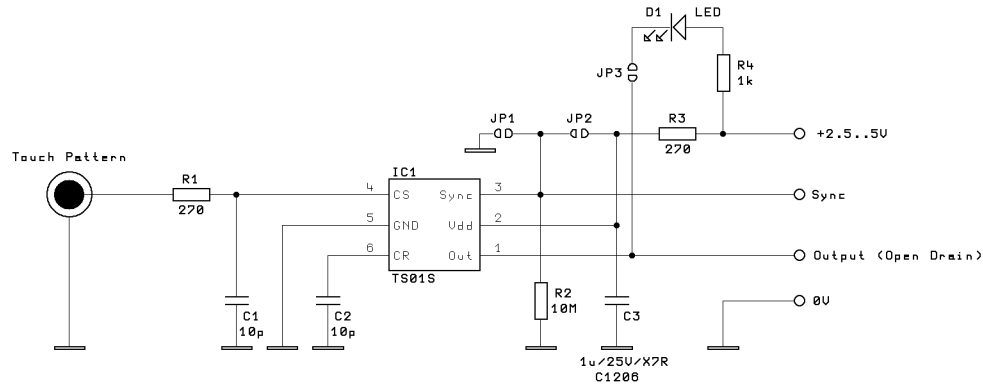
touchSEMI

www.touchsemi.com

Tel.: (+420) 212247491

Fax: (+420) 212247466

Na mokrině 45, 130 00 Prague 3
Czech Republic, EU



Notes:

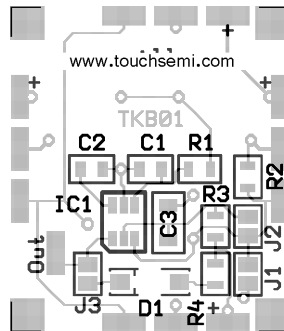
1) JP1, JP2

JP1	JP2	Mode
Open	Open	High sensitivity, Synchronized operation allowed
Short	Open	Low sensitivity, Synchronized operation not allowed
Open	Short	Middle sensitivity, Synchronized operation not allowed
Short	Short	Not applicable (power supply is shorted)

2) When synchronized operation is enabled, up to 10 modules can be used without risk of mutual interference. Interconnect Sync pin of all the modules.

3) JP3

Short..LED indication enabled, Open..LED indication disabled. Output can sink up to 4 mA (including the LED, if enabled).



Notes:

Board size: 24.5 x 28.5 [mm]

Up to 10 boards can be assembled as keyboard (by using soldering pads on edges, any shape is allowed).

C1, C2	2	CSMD	10p
C3	1	CSMD	1u/25V/X7R
D1	1	LED_KM27	
IC1	1	TS01S	
JP1, JP2, JP3	3	JP_SOLDER	
PIN1	1	PIN	
PIN2	1	PIN	
PIN3	1	PIN	
PIN4	1	PIN	
R1, R3	2	RSMD	270
R2	1	RSMD	10M
R4	1	RSMD	1k