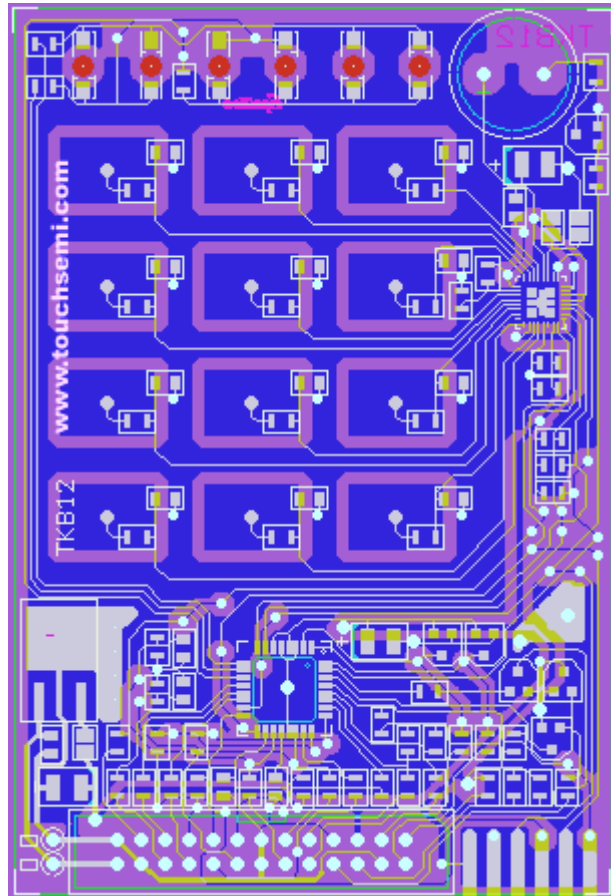


TKB12

12-CH Intelligent Touch Sensor Keyboard



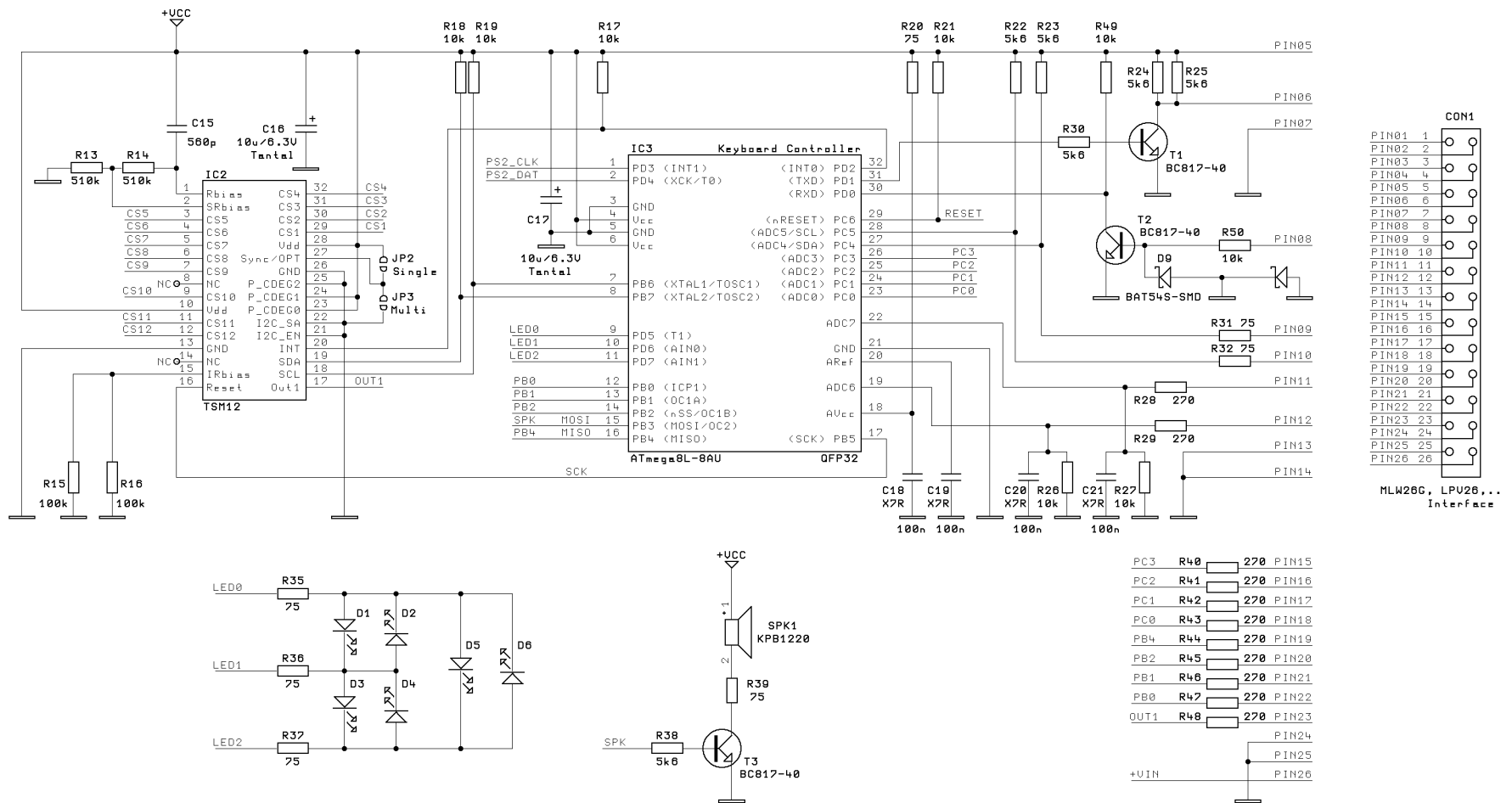
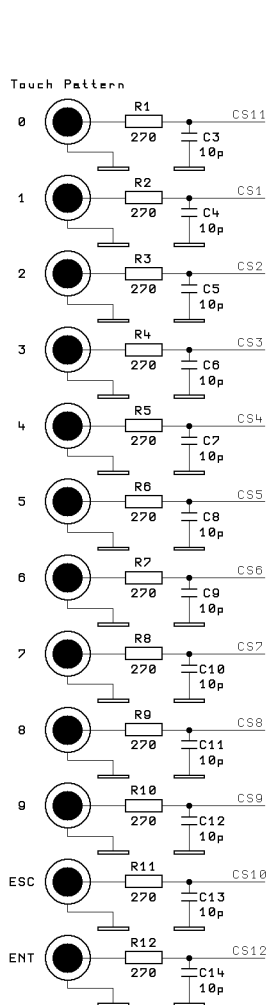
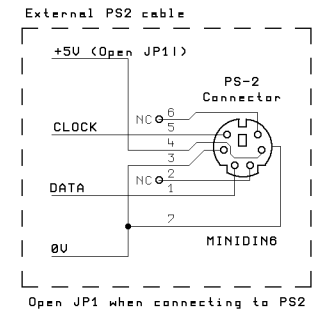
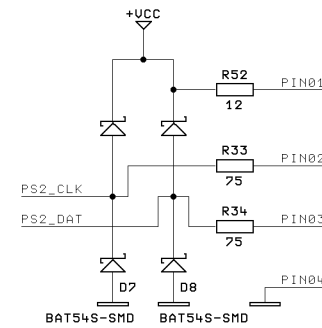
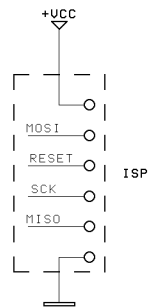
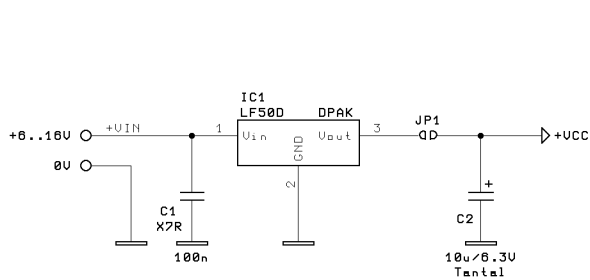
touchSEMI

www.touchsemi.com

Tel.: (+420) 212247491

Fax: (+420) 212247466

Na mokrině 45, 130 00 Prague 3
Czech Republic, EU

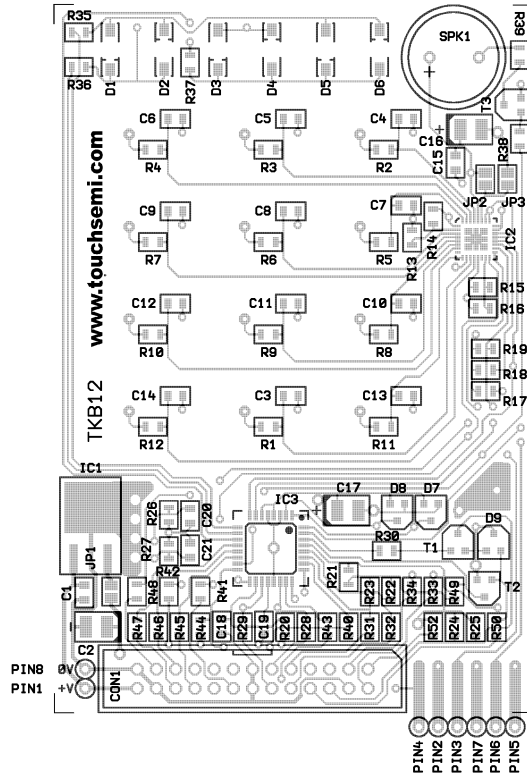


Notes:

- 1) Open JP1 when PS2 cable is used. Otherwise JP1 is shorted.
- 2) Short JP2 for Single Touch mode OR short JP3 for Multi Touch mode.

Project:	TKB12
	Main
Date:	MAR-11-2010
Sheet:	1 / 1

Board size 63.5 x 93.5 [mm]



C1, C18, C19, C20, C21	5	CSMD	100n
C2, C16, C17	3	C POL	10u/6.3V
C3, C4, C5, C6, C7, C8, C9, C10, C11, C12, C13, C14	12	CSMD	10p
C15	1	CSMD	560p
CON1	1	MLW26G	MLW26G, LPV26, .
D1, D2, D3, D4, D5, D6	6	LED_KM27	
D7, D8, D9	3	BAT54S-SMD	
IC1	1	LF50D	
IC2	1	TSM12	
IC3	1	ATMEGA8	ATmega8L-8AU
JP1	1	JP_SOLDER	
JP2	1	JP_SOLDER	
JP3	1	JP_SOLDER	
PIN1	1	PIN	
PIN2	1	PIN	
PIN3, PIN4, PIN5, PIN6, PIN7, PIN8	6	PIN	
R1, R2, R3, R4, R5, R6, R7, R8, R9, R10, R11, R12, R28, R29, R40, R41, R42, R43, R44, R45, R46, R47, R48	23	RSMD	270
R13, R14	2	RSMD	510k
R15, R16	2	RSMD	100k
R17, R18, R19, R21, R26, R27, R49, R50	8	RSMD	10k
R20, R31, R32, R33, R34, R35, R36, R37, R39	9	RSMD	75
R22, R23, R24, R25, R30, R38	6	RSMD	5k6
R52	1	RSMD	12
SPK1	1	SPK	KPB1220
T1, T2, T3	3	BC817	BC817-40